



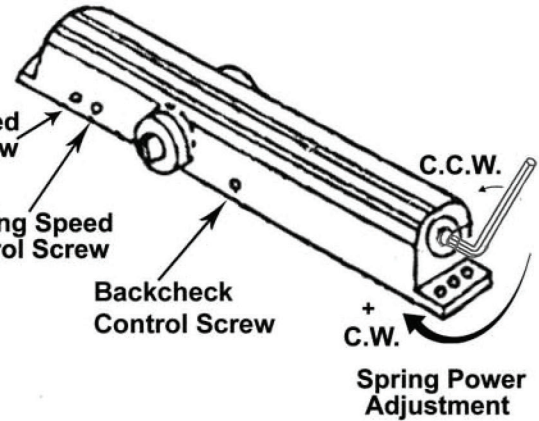
# DSI 5051 Series Door Closer

### Features

- For Standard-duty doors
- For most hold open applications
- Universal application
- Adjustable power to sizes 1 through 6
- Standard adjustable back-check function
- Full plastic standard cover
- **Available in all finishes**
- Meets ANSI A156.26 Grade 1

### Options

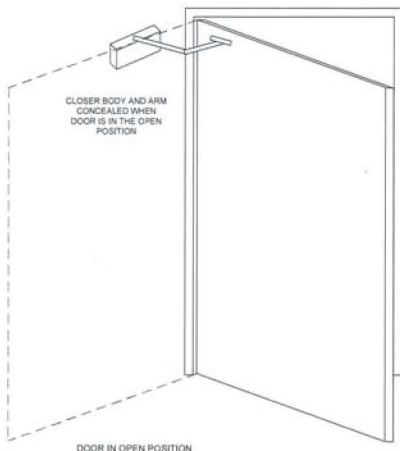
- Delayed action
- Heavy-duty arms available including **Forged Standard Arm and Cush\_N Stop H.O.A. Arm**



**FIRE TESTED**  
 Conforms to Standard UL10C and UBC 7-2 (1997)

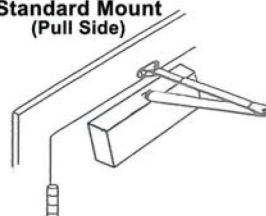
### Power Adjusting Chart

Closer Power Size	1	2	3	4	5	6
Clockwise Turns	-6	-3	SET	3	7	12

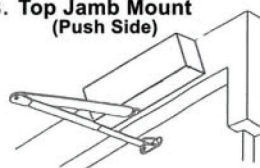


### Other Mounting Variations

2. Standard Mount (Pull Side)



3. Top Jamb Mount (Push Side)



4. Parallel Mount (Push Side)

