

TDC 5051 Series Door Closer



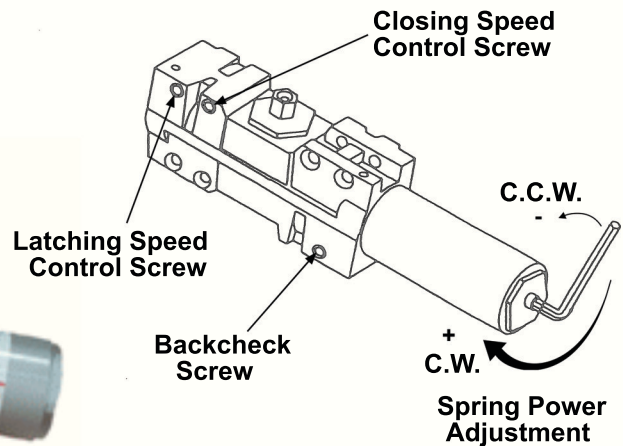
Conforms to
Standard UL10C
and UBC 7-2
(1997)

Features

- For Heavy-Duty doors
- Universal application
- Adjustable power to sizes 1 through 6
- Standard adjustable back-check function
- Full plastic standard cover
- **Available in all finishes**
- Meets ANSI A156.26 Grade 1

Options

- Delayed action
- Heavy-duty arms available including **Forged Standard Arm** and **Cush_N Stop H.O.A Arm**

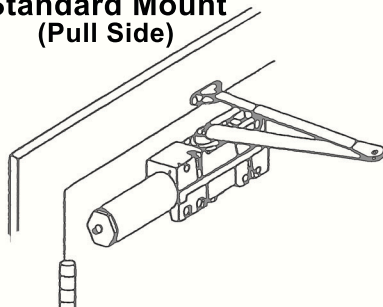


Power Adjusting Chart

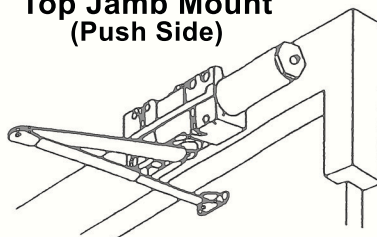
Closer Power Size	1	2	3	4	5	6
Clockwise Turns	-6	-3	SET	3	7	12

Mounting Variations

**Standard Mount
(Pull Side)**



**Top Jamb Mount
(Push Side)**



**Parallel Mount
(Push Side)**

